

Mail: info@nodac.cn
 Tel: 0510-85609114
 Fax: 0510-85611228

CLIENT:

PROJECT:

ORDER NO.:

CONTENT:
 压铸件

COLOR:

QTY:
 20000pcs

HARDWARE:
 CUSTOMER

DESIGNER:
 DEQIANG XU

DATE:
 2012.07.24

DRAWING:
 1/3

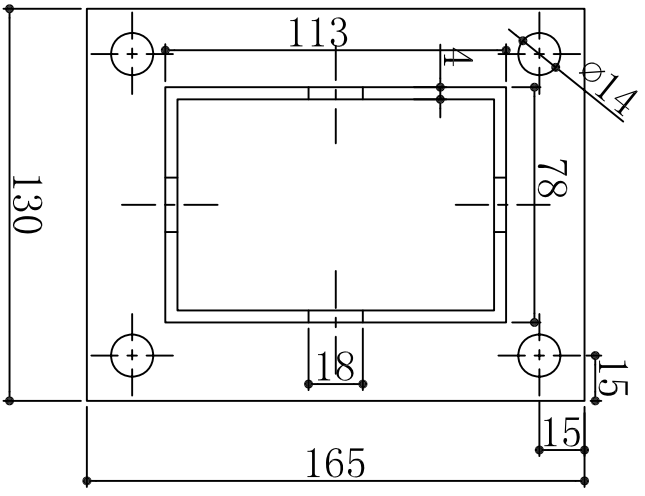
MANUFACTURE:

QC:

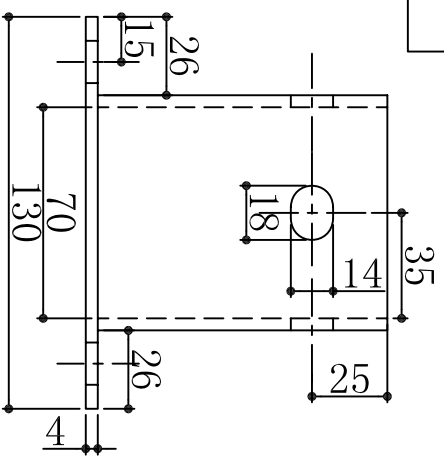
SIGNATURE:

SIGNATURE:

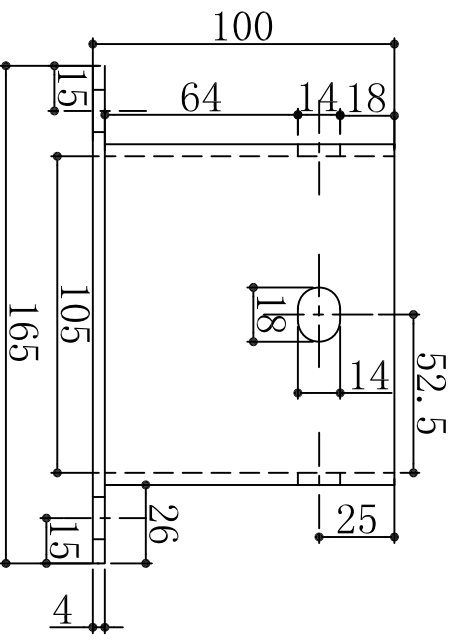
SURFACE FINISH:	
1: HOT GALVANIZING	X
2: COLD GALVANIZING	X
3: EPOXY PRIMER	●
4: PU TOPCOAT	●
5: VARNISH	X



Top view



Front view



Side view

CONFIRM:

REVISIONS

1>	
2>	
3>	
4>	
5>	

CUSTOMER

1>	
2>	
3>	
4>	
5>	

Notes

1>	Outer frame tolerance: ±2mm
2>	
3>	
4>	
5>	