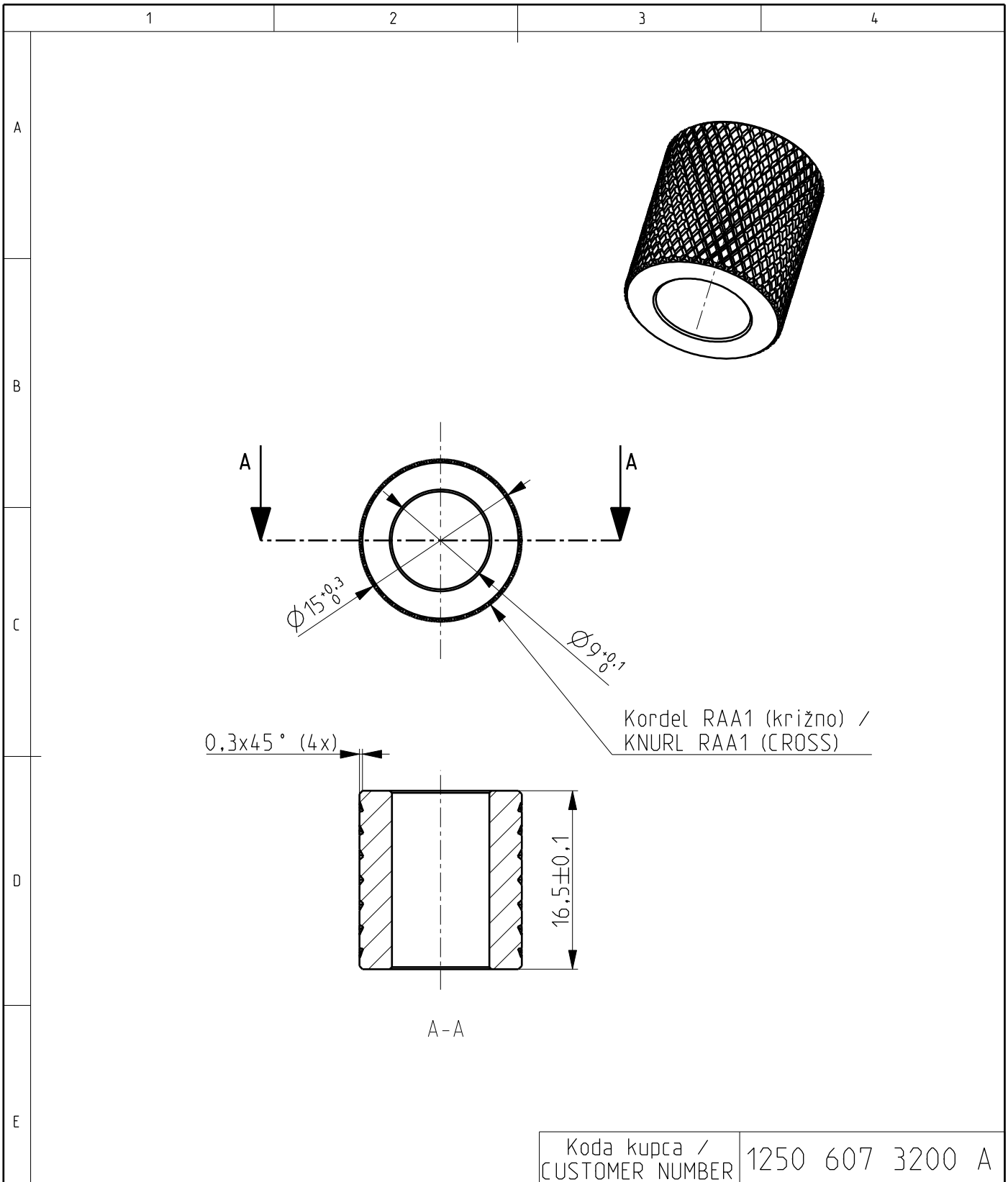
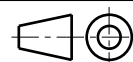


Izdelano s CAD/ProEngineer - ročno spreminjanje ni dovoljeno! Vsak prenos tretjim osebam ali uporaba v nedogovorjene namene ni dovoljena po zakonu o avtorskih pravicah.  
 Made with CAD/ProEngineer - changing is not allowed! Any unauthorized copying of this drawing or unauthorized distribution of the information contained herein is prohibited.



Koda kupca /  
CUSTOMER NUMBER 1250 607 3200 A

Merilo  
Scale 2:1



Original format  
ISO 5457 - A4

Gradivo / Material  
Palica okrogla 15 h9 DIN EN 10278  
DIN EN 10277-3 1.0715

Naziv  
Title  
OBROČEK  
CARRIER

Koda  
Code 725.1.306

List  
Sheet 1

Stran  
Page 1

Tolerance  
odprtih mer  
Tolerances without  
individual indications

ISO 2768 - m

Površinska  
hrapavost  
Surface  
finishing

Datum/Date

Ime/Name

Izdel.  
Made 24.03.09

B. Krmelj

Pregl.  
Verified 18.03.10

J. Rihtaršič

**DOMEL**<sup>®</sup>

Otoki 21, 4228 Železniki, Slovenija

7251306000\_OBROČEK

A0 9350 18.03.10 B. Krmelj

Ozn. Mark St. obvesila Nr. of notice Datum Date Ime Name