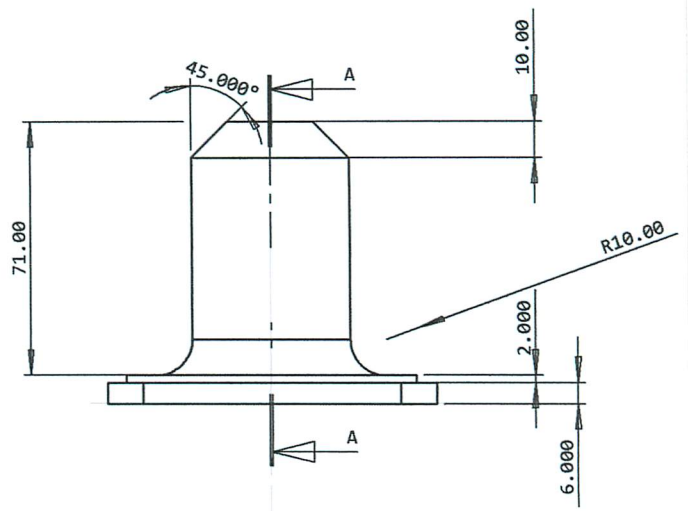
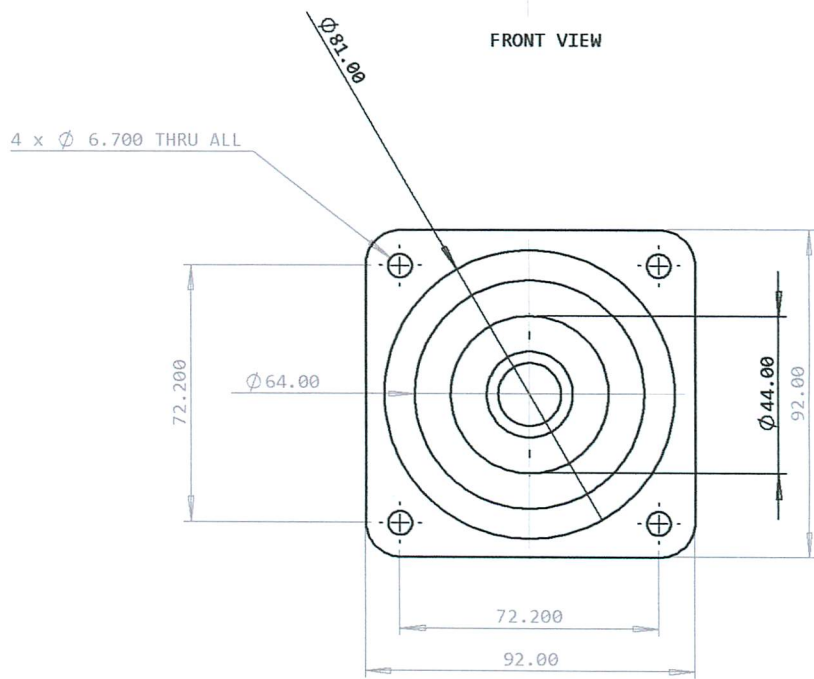


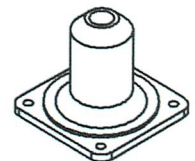
SECTION A-A



FRONT VIEW



TOP VIEW



SCALE 1:5

UNLESS OTHERWISE SPECIFIED:

DIMENSIONS ARE IN mm
 TOLERANCES:
 ANGULAR: MACH $\pm 0.5^\circ$ BEND $\pm 1.0^\circ$
 TWO PLACE DECIMALS: ± 0.75 mm
 THREE PLACE DECIMALS: ± 0.38 mm
 300 mm+ DIMENSION: ± 1.50 mm
 400 mm+ DIMENSION: ± 2.38 mm

NAME DATE

DRAWN
 SALES & MKT
 ENG
 OPS
 CEO
 COMMENTS:



Project: C5 Centrifuge

Motor Bearing Sleeve

REV.	DESCRIPTION	DATE	APPROVED
REVISIONS			

PROPRIETARY AND CONFIDENTIAL



MATERIAL

6061 Alloy

COLOR

Black

FINISH

Anodized

SIZE DWG. NO.

A 100041

REV.

A-01

SCALE: 1:2 WEIGHT: 243.982

SHEET 1 OF 1