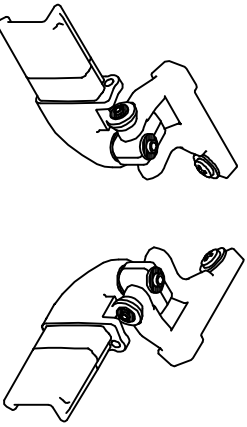
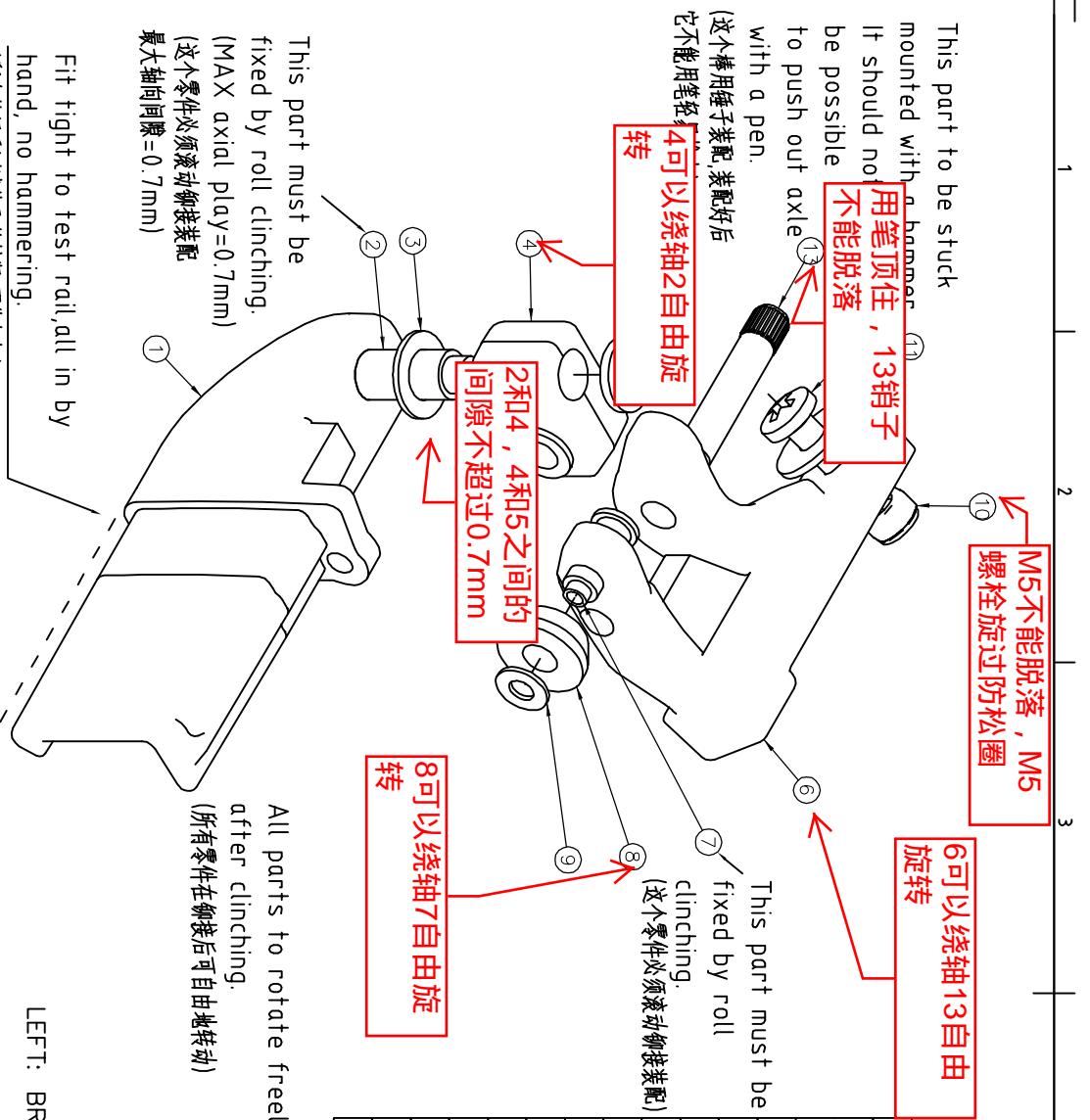


Item No.	Doc. nr	Title	Rev.	Material	Quantity
1	BRR0014-1	lower stop B500	06	AS13G	1
1	BRR0015-1	lower stop B500	06	AS13G	1
2	BRR0014-2	Axle Lower Stop	05	Stainless Steel, 304	1
3	Standard	Ring MOSS 8.1x14x1.5		PA6.6	1
4	BRR0014-3	leadrail rotation block	03	AS13G	1
5	standard	DIN 125 M6(6.4x12x1.6)		A2	1
6	BRR0014-4	connection leadrail B500	09	AS13G	1
7	BRR0014-5	wheel axle lower stop	03	Stainless Steel, 304	1
8	BRR0014-6	CLR tube	03	PA 6.6	1
9	standard	DIN 125 M4(4.3x9x0.8)		A2	1
10	standard	nut DIN 985 M5		A2	1
11	standard	DIN 9021 M5(5.3x15x1.2)		A2	1
12	standard	Screw DIN7985 M5 x 12		A2	1
13	BRR0014-7	Short axle Lower Stop	06	Stainless Steel, 304	1



LEFT: BRR0014

RIGHT: BRR0015

(零件2和7都是铆到尾部)

材料Material:	表面处理Surface treatment:
没有毛刺及锐边 Burr free, No sharp edges	
公差Tolerance:ISO 2768-m	项目号Project No.
0.5-6 ± 0.1	BRR 070813
6-30 ± 0.2	重量Weight 比例Scale
30-120 ± 0.3	155 g 1:1.8
120-400 ± 0.5	图号Drawing No.
Angle ± 1°	BRR0014-0015-R06

Rev 06	Date: 2012-8-8	Part BRR0014-2 changed
Rev 05	Date: 2011-3-14	Part BRR0014-2 changed
Rev 04	Date: 2010-12-9	Item 13 & 3 changed
Rev 03	Date: 2010-3-5	Change drawing no.
Rev 02	Date: 2007-11-26	Original



图号Drawing No.	产品名称Article Name
BRR0014-0015-R06	Springarm Assembled Connection Leadrail

BRR 070813-1

ref. SA0006

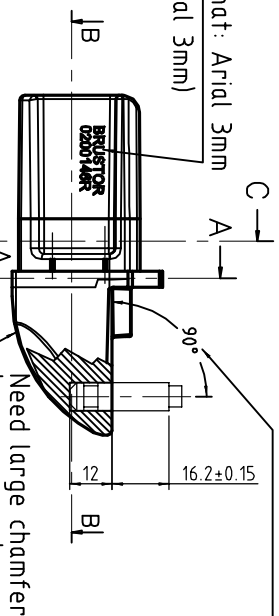
Only for model modification!

BRR 0015-1 RH

Text format: Arial 3mm  
(文字格式:Arial 3mm)

in all directions (所有方向都是90°)

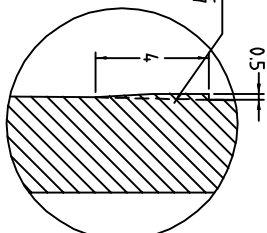
4 ribs  
四根加强筋



Need large chamfer here as sample.  
(这里象样品一样需要大的斜面)

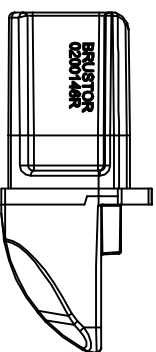
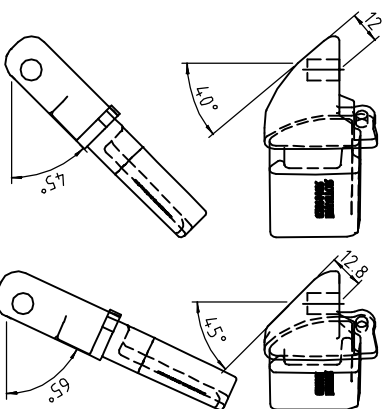
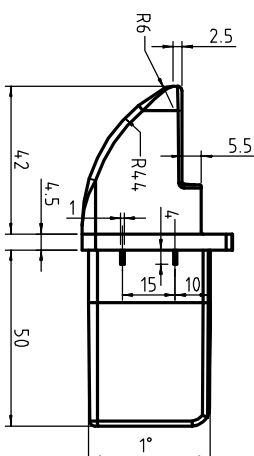
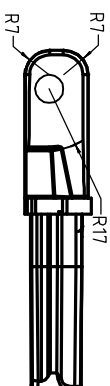
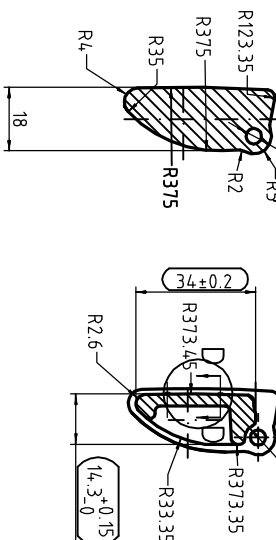
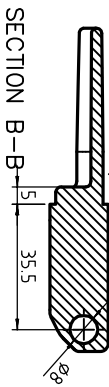


Section D-D  
4:1



SECTION A-A

SECTION C-C



Steel ball polished.No grinding all shapes by mould.  
(钢珠抛光,不要用模具磨出所有的外形)

(未注半径:R 0.25)

**没有毛刺及锋边 Burr free, No sharp edges**

材料Material: AS13G AISI 12 Mg Cu temper state T6

表面处理Surface treatment:

公差Tolerance:ISO 2768-m

0.5-6 ± 0.1
6-30 ± 0.2
30-120 ± 0.3
120-400 ± 0.5
Angle ± 1°

Rev. 06	Date: 2011-3-14
part BRR0014-2	changed
Rev. 05	Date: 2010-3-1
	change drawing no.
Rev. 04	Date: 2009-2-9
	add 4 ribs
Rev. 03	Date: 2008-5-26
	change dim 14.8±0.2 to 14.3±0.15/-0 size 34.5 change to 34
Rev. 02	Date: 2007-11-26
	Original



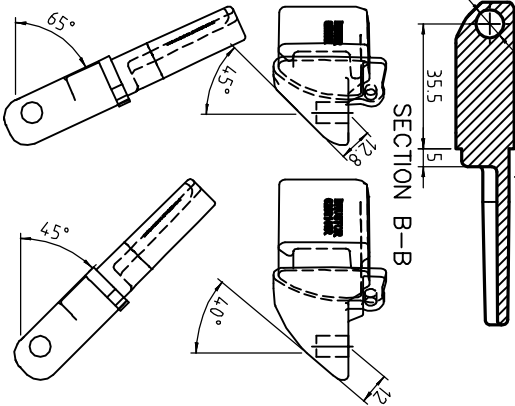
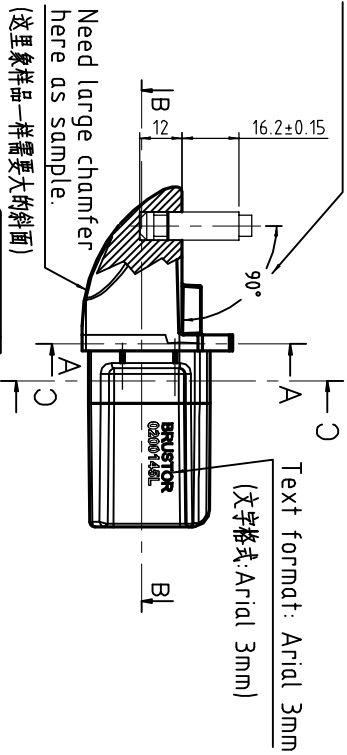
项目Project No. BRR 070813

重量Weight 70.8g 比例Scale 1:2

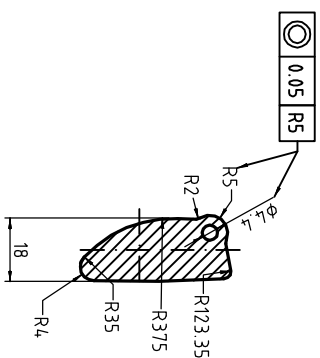
序号No.	图号Drawing No.	产品名称Article Name	数量Qty	重量Weight	比例Scale	产品名称Article Name
				70.8g	1:2	BRR0015-1 RH-R06

视图Drawing	审核Audit	日期Date	版本号Rev. 06	第一角投影A4	Springarm lower stop B500
-----------	---------	--------	------------	---------	---------------------------

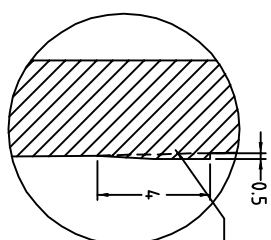
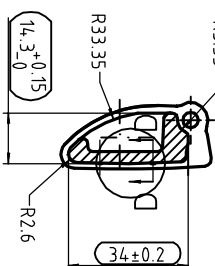
(所有方向都是90°)  
in all directions



SECTION A-A

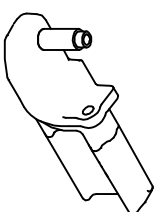
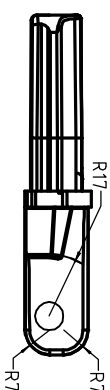
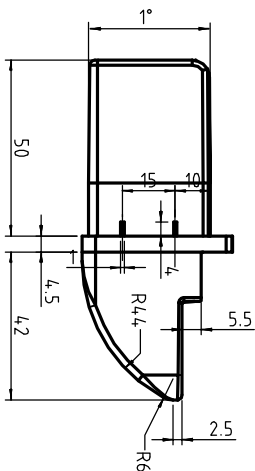


SECTION C-C



4 ribs 四根加强筋

Only for model modification!



Steel ball polished.No grinding all shapes by mould.  
(钢珠抛光,不要用模具磨出所有的外形)

(未注半径:R 0.25)

没有毛刺/锐边 Burr free, No sharp edges

材料Material: AS13G AISI 12 Mg Cu temper state T6

表面处理Surface treatment:

公差Tolerance:ISO 2768-m

0.5-6 ± 0.1
6-30 ± 0.2
30-120 ± 0.3
120-400 ± 0.5
Angle ± 1°

项目号Project No.	BRR 070813	重量Weight	70.8g	比例Scale	1:2
第一角投影	第一角投影	产品名称Article Name	BRR0014-1 LH-R06	Springarm	lower stop B500
序号No.	图号Drawing No.	产品名称Article Name	数量Qty	日期Date	版本号Rev: 06
制图	审核	日期			A4
Drawer	Audit				



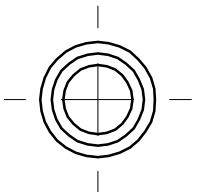
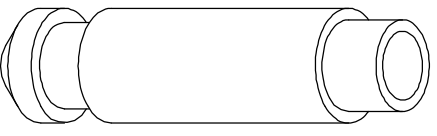
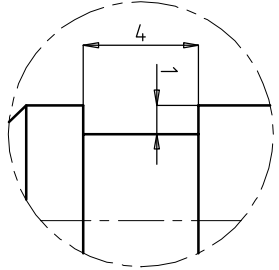
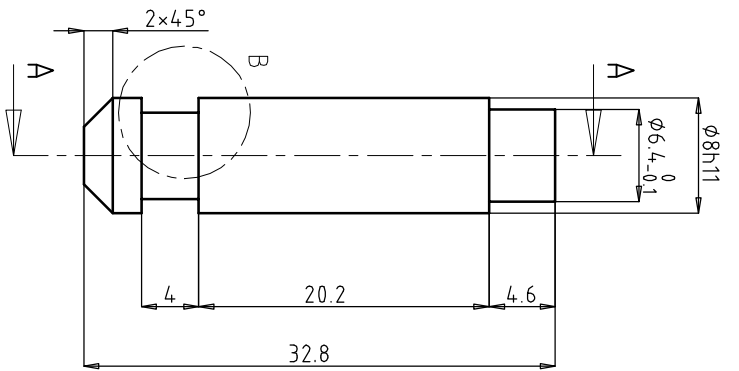
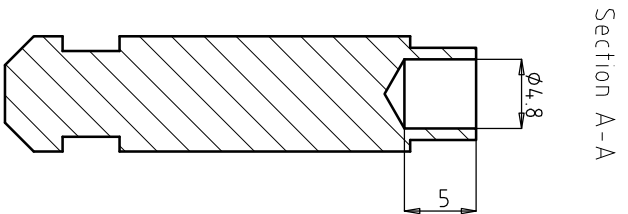
Rev: 06	Date: 2011-3-14
part BRR0014-2 changed	
Rev: 05	Date: 2010-3-1
change drawing no.	
Rev: 04	Date: 2009-2-9
add 4 ribs	
Rev: 03	Date: 2008-5-26
change dim 14.8±0.2 to 14.3±0.15/-0 size 34.5 change to 34	
Rev: 02	Date: 2007-11-26
Original	

BRR 070813-1

ref. SA0006

BRR 0014-1 LH

BRR 070813-2  
 ref. SA013-02  
 BRR0014-2



公差Tolerance:

± 0.15

没有毛刺及锐边 Burr free, No sharp edges

材料Material: Stainless steel 304 (不锈钢304)

表面处理Surface treatment:

项目号Project No.	BRR 070813	数量Qty	
重量Weight	10.64g	比例Scale	2:1
版本号Rev.	05	第一角投影	A4
图号Drawing No.	BRR0014-2-R05	产品名称Article Name	Springarm Axle Lower Stop
序号No.		图号Drawing No.	
审核Audit		日期Date	
制图DRAWER			

Rev. 05	Date: 2012-8-8
Change some dimensions	
Rev. 04	Date: 2011-3-14
Change the design	
Rev. 03	Date: 2010-3-5
Change drawing NO.	
Rev. 02	Date: 2007-11-26
Original	



图号Drawing No.

BRR0014-2-R05

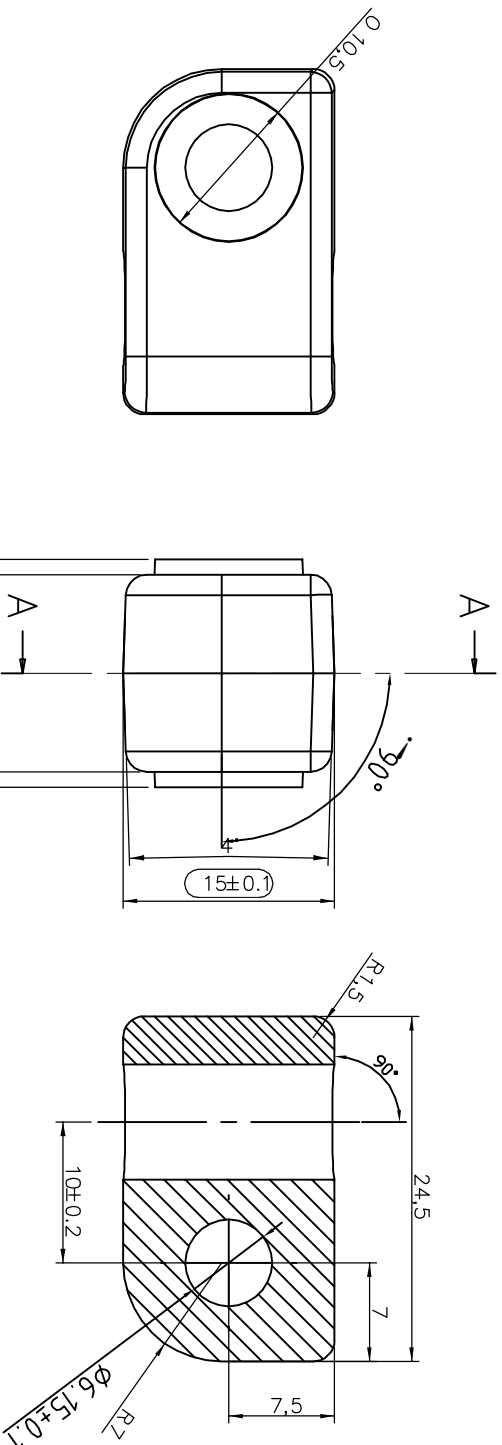
产品名称Article Name

Springarm Axle Lower Stop

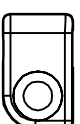
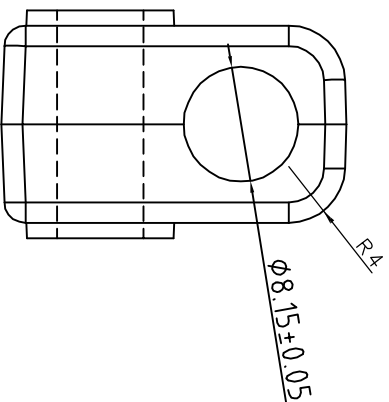
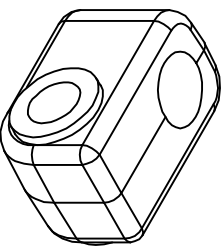
BRR 070813-4

ref. SA010

BRR0014-3



SECTION A-A



1:1

Steel ball polished. (钢珠抛光)  
No grinding all shaper by mould.  
(不要用模具磨出所有的外形)

(未注半径:R0.25)

未注公差Tolerance:

± 0.25



图号Drawing No.

BRR0014-3-R03

项目号Project No.

BRR 070813

重量Weight 比例Scale

2:1

产品名称Article Name

BRR0014-3-R03

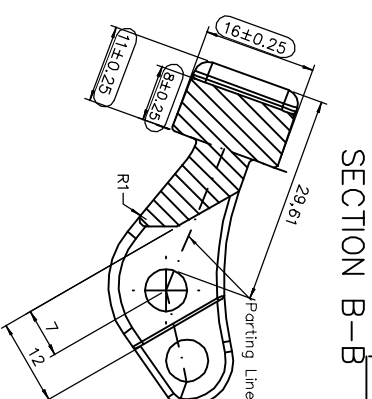
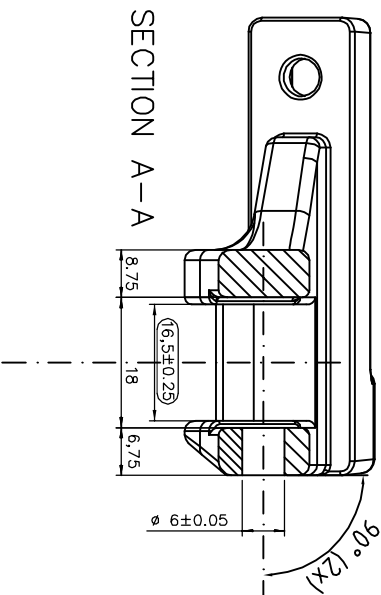
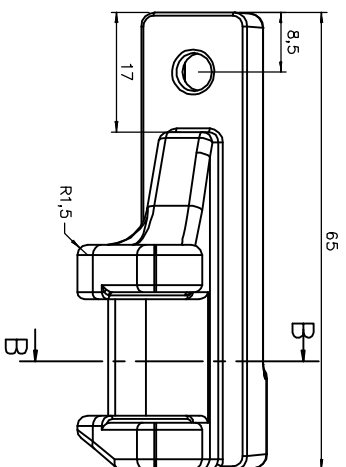
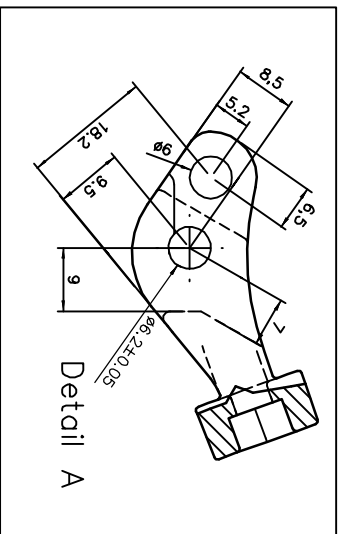
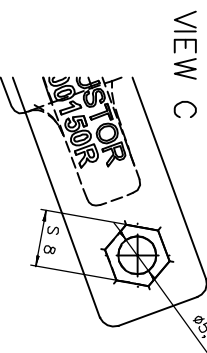
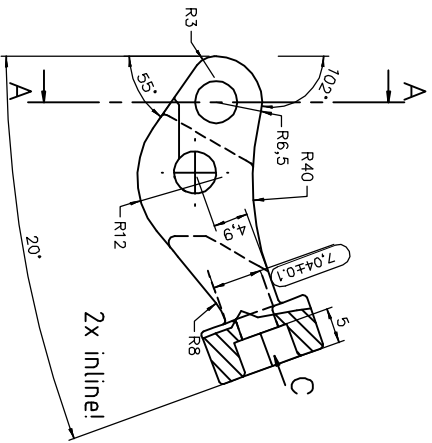
序号No.	图号Drawing No.	产品名称Article Name	数量Qty
制 图 Drawer			
审 核 Audit			
日 期 Date			

材料Material: AlSi12MgCu T6

表面处理Surface treatment:

没有毛刺及锋边 Burr free, No sharp edges

BRR 070813-6  
ref. SA009  
BRR0014-4



**DRAWN RIGHT  
LEFT = MIRRORED**



Text L: BRUSTOR  
0200149L  
Text R: BRUSTOR  
0200150R

**LH 0200149      RH 0200150**

Steel ball polished.No grinding all shapes by mould.

(钢珠抛光,不要用模具磨出所有的形状)

General rounds : R0,25(未注半径:R0.25)

General draft : 1,5°(角度:1.5°)

没有毛刺及锋边 Burr free, No sharp edges

材料Material: AS13G AISI12MgCu T6

表面处理Surface treatment:

公差Tolerance:ISO 2768-m

0.5-6 ± 0.1
6-30 ± 0.2
30-120 ± 0.3
120-400 ± 0.5
Angle ± 1°

Rev.	Date:	Rev.	Date:	Rev.	Date:	Rev.	Date:
09	2011-3-14	07	2009-3-11	05	2008-2-20	03	2008-1-28
delete some redundant sizes 删除多余尺寸		add detail view A		change size 66.5 to 65		change size 18.5 to 18	
08	2010-3-5	06	2009-1-5	04	2008-1-31	02	2007-11-26
Change drawing no.		add size 7 , 8.5 , 9		change size 6.75 to 8.75		Original	

序号No.	图号Drawing No.	产品名称Article Name	数量Qty	项目号Project No.	重量Weight	比例Scale	图号Drawing No.	产品名称Article Name
				BRR 070813	46.9 g	1:2	BRR0014-4-R09	
制图 Drawer	审核 Audit	日期 Date		版本号Rev.:09		第一角投影	Springform connection leadrail B500	



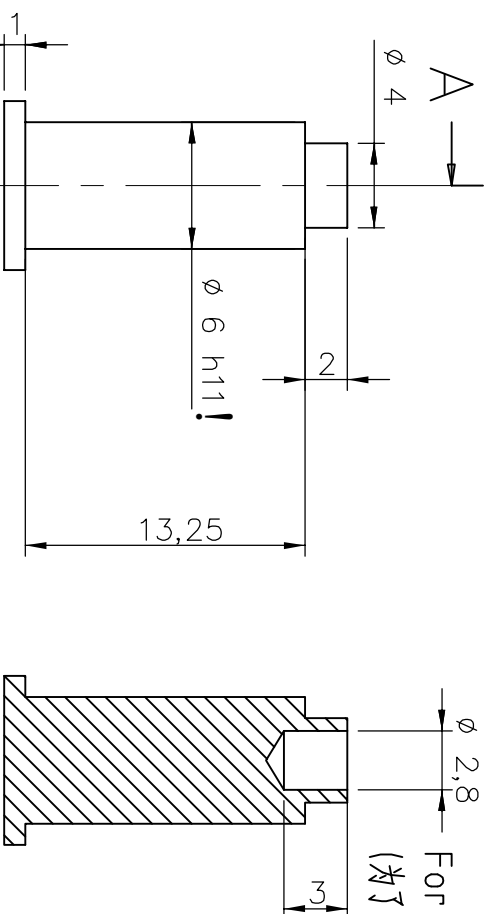
BRR 070813-7

ref. SA014

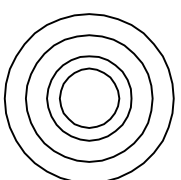
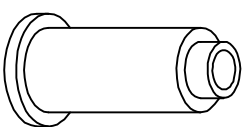
BRR0014-5

For late clinching

(为了以后铆接)



SECTION A-A



公差Tolerance:

$\pm 0,15$

没有毛刺及锋边 Burr free, No sharp edges

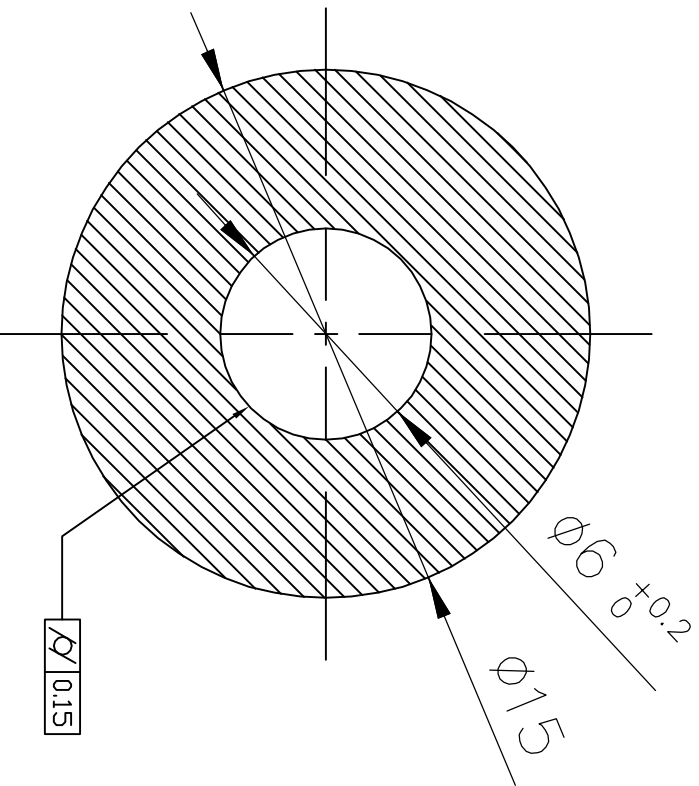
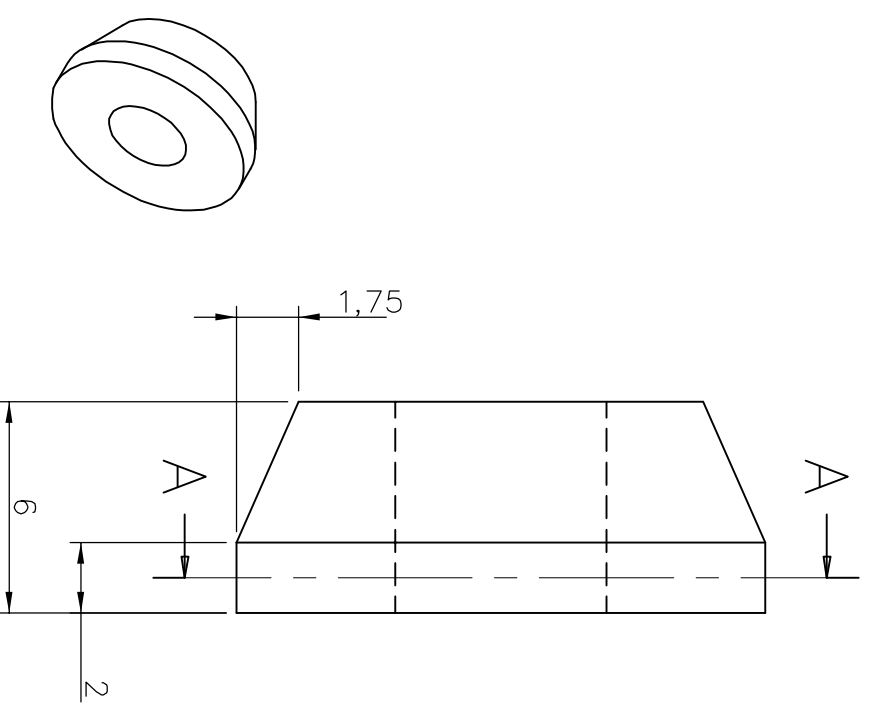
材料Material: SUS 304 (不锈钢304)

表面处理Surface treatment:

Rev. 03	Date: 2010-3-5	项目号Project No.	BRR 070813	图号Drawing No.	BRR0014-5-R03	产品名称Article Name	Springarm wheel axle lower stop
Change drawing No. 02	Date: 2007-11-26	重量Weight		原图Drawer		数量Qty	
Original		比例Scale	3:1	审核Audit		日期Date	
		版本号Rev.	03	日期Date		第一角投影	
		图号Drawing No.		日期Date		版本号Rev.	03
		图号Drawing No.		日期Date		版本号Rev.	03
		图号Drawing No.		日期Date		版本号Rev.	03



BRR 070813-8  
 ref. SA012  
 BRR0014-6



SECTION A-A

公差Tolerance:
± 0.15

**没有毛刺及锋边 Burr free, No sharp edges**  
 材料Material: PA 6.6 Light grey RAL 7035  
 表面处理Surface treatment:

序号No.	图号Drawing No.	产品名称Article Name	数量Qty	重量Weight	比例Scale	项目号Project No.	BRR 070813	图号Drawing No. BRR0014-6-R03
					5:1			
制图 Drawer	审核 Audit	日期 Date	版本号Rev.:03	第一角投影	A4	Springarm CLR tube		

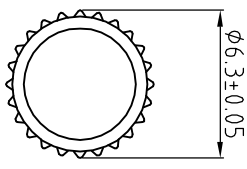
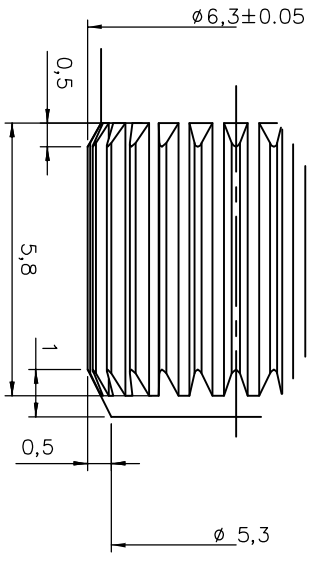
Rev. 03	Date: 2010-3-5
Change drawing no.	
Rev. 02	Date: 2007-11-26
Original	



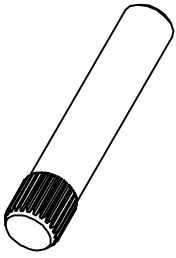
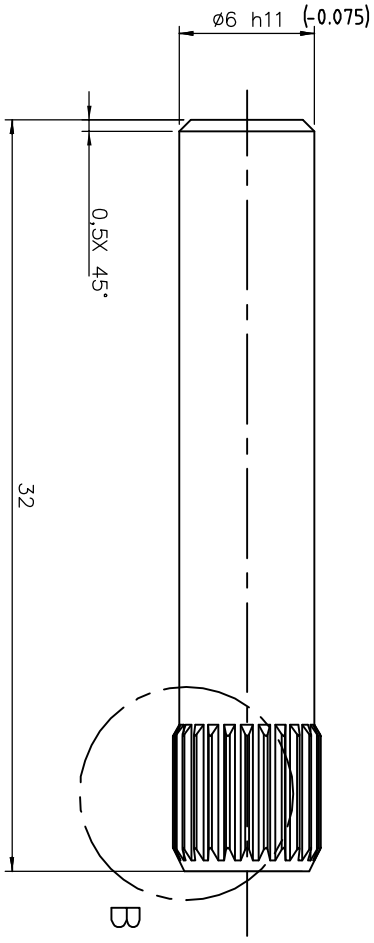


BRR 070813-13  
 ref. SA011  
 BRR0014-7

DETAIL B 2:1



Straight ribs.  
 (直线)  
 tight fit in alu  $\phi 6$   
 (与 $\phi 6$ 的铝棒紧密配合)



(未注半径:R0.25)

公差Tolerance:	$\pm 0.1$
--------------	-----------

表面处理Surface treatment:	未注公差Tolerance:
材料Material: SUS 304 (不锈钢304)	$\pm 0.1$
没有毛刺及锋边 Burr free, No sharp edges	

项目号Project No.	BRR 070813
重量Weight	比例Scale
4:1	
图号Drawing No.	BRR0014-7-R06
第一角投影	Springarm
版本号Rev.: 06	Short axle Lower Stop
A4	

Rev. 06	Date: 2010-10-15
Change $\phi 5.75$ to $\phi 6$	
Rev. 05	Date: 2010-3-5
Change drawing no.	
Rev. 04	Date: 2009-1-5
go back $\phi 6$ to $\phi 5.75$	
Rev. 03	Date: 2008-1-28
change $\phi 5.75$ to $\phi 6$	
Rev. 02	Date: 2007-11-26
Original	

